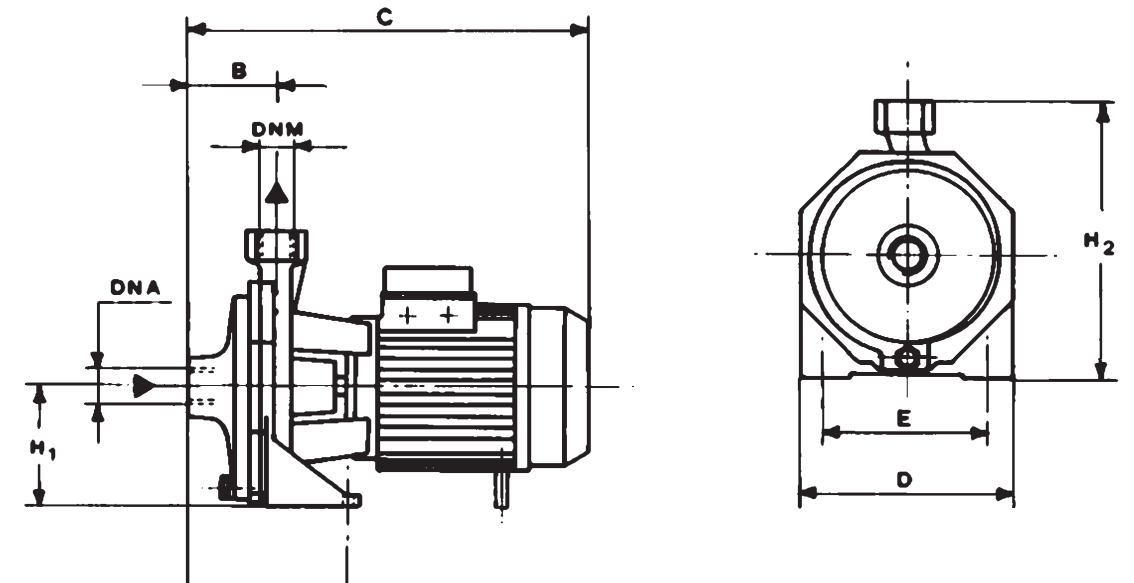


TIPO - TYPE		P <sub>2</sub> nom.		P <sub>1</sub> (kW) max.		AMPERE		Q = portata - débit - capacity - Fördermenge - portata															
1 ~	3 ~	HP	kW	1 ~	3 ~	1 ~	3 ~	Prevalenza manometrica totale in m. C.A. Hauteur manométrique totale en m. - Total head in meters w.c. Förderhöhe m. - Altura de impulsión manométrica total en m.															
230 V	230/400 V							1 x 230 V	3 x 400 V	m <sup>3</sup> /h	0	1.5	3	4.5	6	7.5	9	10,5	12	15	18	24	30
						l/min	0	25	50	75	100	125	150	175	200	250	300	400	500	600			
<b>CB 100</b>	<b>CBT 100</b>	1	0.74	1.17	1.15	5.4	2.4	44	41.5	37	22.5												
<b>CB 160</b>	<b>CBT 160</b>	1.5	1.1	2.30	2.20	10.2	4.1	53	51	48	44	40											
<b>CB 210</b>	<b>CBT 210</b>	2	1.5	2.60	2.45	11.5	4.8	58	56	53	49	44	38										
-	<b>CBT 310</b>	3	2.2	-	2.80	-	5.2	64	62	59	55	50	43	37									
<b>CB 400</b>	<b>CBT 400</b>	4	3	4.35	4.5	21.5	7.6	66.9	63.9	63.3	61	58.4	55.2	51.5	47.8	44.2							
<b>CB 600</b>	<b>CBT 600</b>	5.5	4	5.6	5.45	27	9.5	78.7	77.1	76.1	74.6	72	69.4	66	62.4	58.7							
-	<b>CBT 750</b>	7.5	5.5	-	8.1	-	14.7	90	89	88.6	87	84.8	82.3	79.2	76.3	72.5	62.7						



TIPO TYPE	Dimensioni mm Dimensions mm Dimensions mm Masstabelle mm Dimensiones mm										Dimensioni imballo mm Dimensions d'emballage mm Packing dimensions mm Verpackungsmasse mm Dimensiones embalaje mm			Peso Poids Weight Gewicht Peso
	A	B	C	D	E	H1	H2	DNA	DNM	I	L	M	Kg	
<b>CB 100</b>	122	73	328	180	140	98	228	1"G	1"G	350	195	265	15.3	
<b>CB 160</b>	115	81	385	210	170	110	265	1"1/4G	1"G	405	225	295	24	
<b>CB 210</b>	115	81	385	210	170	110	265	1"1/4G	1"G	405	225	295	23.4	
<b>CB 310</b>	115	81	385	210	170	110	265	1"1/4G	1"G	405	225	295	23.4	
<b>CB 400</b>	145	95.5	463	266	212	135	305	1"1/2G	1"1/4G	500	275	350	41	
<b>CBT 600</b>	145	95.5	463	266	212	135	305	1"1/2G	1"1/4G	500	275	350	44.8	
<b>CBT 750</b>	145	95.5	480	266	212	135	305	1"1/2G	1"1/4G	500	275	350	50.5	

